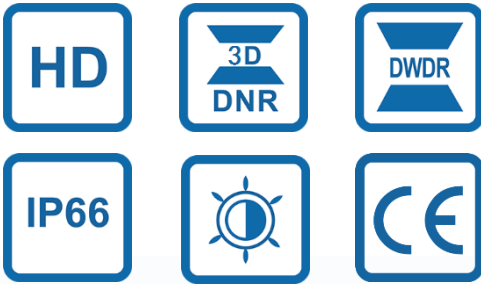


JF-AHC-EDB6380L-IR8-VF

8MP Low Illumination AHD Bullet Camera



Features

- ◆ 1/2.3" 12MP CMOS
- ◆ HD lens: 2.8mm-12mm
- ◆ 3D Digital Noise Reduction
- ◆ Day/Night: IR-CUT
- ◆ 80m-90m IR Distance
- ◆ Video Output: AHD @8MP
- ◆ Support coaxial control, coaxial upgrade
- ◆ IP66 Protection

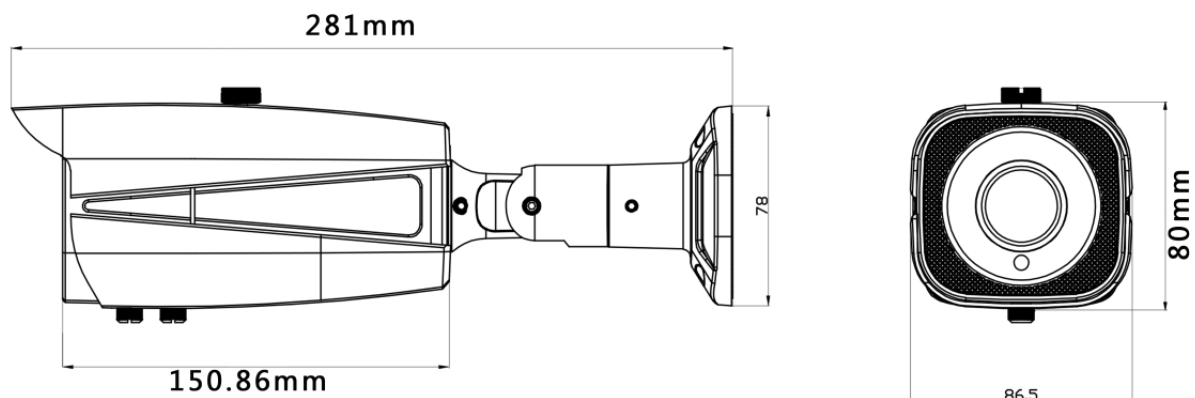
Specification

Camera	
Model	JF-AHC-EDB6380L-IR8-VF
Image Sensor	1/2.3" 12MP CMOS
Min.Illumination	0.01Lux @F1.2 (Color)
	0.001 Lux @ F1.2 (B&W)
Frame Rate	50Hz:8MP@15fps
	60Hz:8MP@15fps
Lens	2.8mm-12mm
Day/Night	IR-CUT
Max.IR Distance	90m
OSD Menu	UTC Control
WDR	DWDR
Noise Reduction	3D
Interface	
Video Output	AHD @8MP
Audio In	-
Alarm In/Out	-
General	
Ingression Protection	IP66
Working Temperature	-20°~65°
material	ABS Plastic+Metal
Power	DC12V±10%

JF-AHC-EDB6380L-IR8-VF

8MP Low Illumination AHD Bullet Camera

Dimensions



Accessories

JF TECH Co.,Ltd.

Headquarter(Hangzhou):

Building 9, Yinhu Innovation Center, Hangzhou, China

Business Center(Shenzhen):

A 7th Floor, Block Sakata 5 Avenue and Chong Hing Times Tower Shenzhen

All Rights Reserved • Specifications subject to change without notice.

Website:<http://www.jftech.com>

Tel:+86-0571-23271188

Tel:+86-0755-32898088