

JF-XVI-BMB2351-IR3-VF

5MP XVI 5 in 1 Dome Camera



JF TECH



Features

- ◆ 1/2.7" 5Mp CMOS
- ◆ HD lens: 2.8mm-12mm
- ◆ Support coaxial control
- ◆ Support coaxial upgrade
- ◆ Low Illumination
- ◆ XVI/AHD/TVI/CVI/CVBS Video Output
- ◆ Protection level is IP66

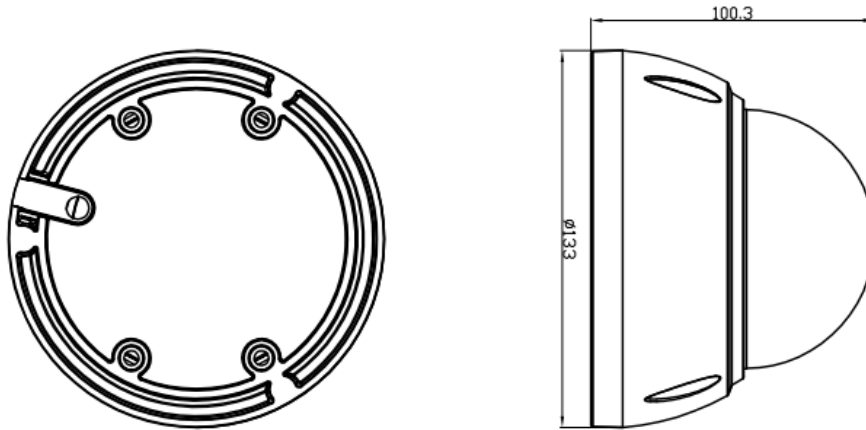
Specification

| Camera | |
|-----------------------|--------------------------------|
| Model | JF-XVI-HEB2351-IR3-VF |
| Image Sensor | 1/2.7" 5Mp CMOS |
| Min.Illumination | 0.01Lux @F1.2 (Color) |
| | 0.001 Lux @ F1.2 (B&W) |
| Frame Rate | 50Hz:1080P@25fps |
| | 60Hz:1080P@30fps |
| Lens | 2.8mm-12mm(Manual zoom) |
| Day/Night | IR-CUT |
| Max.IR Distance | 40m |
| OSD Menu | UTC Control |
| Wide Dynamic Rang | DWDR |
| Noise Reduction | 2D |
| Interface | |
| Video Output | XVI@5MP, AHD/TVI/CVI@4MP, CVBS |
| Audio In | - |
| Alarm In/Out | - |
| General | |
| Ingression Protection | IP66 |
| Working Temperature | -20°~65° |
| material | Metal |
| Power | DC12V±10% |

JF-XVI-BMB2351-IR3-VF

5MP XVI 5 in 1 Dome Camera

Dimensions



Accessories (optional)

JF TECH Co.,Ltd.
Headquarters(Hangzhou):
Building 9, Yinhu Innovation Center, Hangzhou, China
Business Center(Shenzhen):
A 7th Floor, Block Sakata 5 Avenue and Chong Hing Times Tower Shenzhen
All Rights Reserved • Specifications subject to change without notice.

Website:<http://www.jftech.com>
Tel:+86-0571-23271188

Tel:+86-0755-32898088